

**Voegt®**

**Union End Check  
Valves**



## Vogt Valves A History in the Making

In the late 1890s, Vogt pioneered the early development of ammonia absorption refrigeration systems that made artificial ice. This business, plus Vogt's fledgling boiler business, created an internal need for quality valves that initiated Vogt's early entry into the valve manufacturing business.

The early reputation of Vogt's quality valves and rapidly growing petroleum processing industry created an outside demand that would firmly establish Vogt in the mass production of high-quality forged steel valves.

For more than 100 years, Vogt's leadership has been evident in the production of forged steel gate, globe, angle and check valves in most popular materials, trims and bonnet configurations.

Today, Vogt valves support a worldwide network of distributors with access to the world's largest capability for manufacturing of forged steel valves.

### Table of Contents

Page #	
2	Product Range and Design Standards
3	1271 #800 Strainers – 2000 WOG
4	2271 #1500 Strainers– 3000 WOG
5	62271 #2500 Strainers
6	Material Table and Optional Versions

*Need Corrected Copy*

## Union End Check Features

### Exceptional Performance

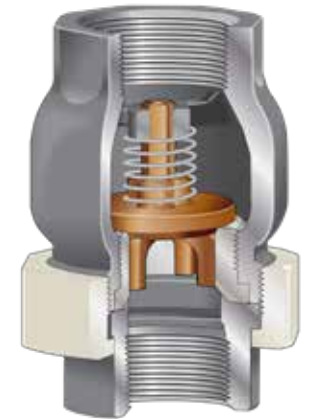
- Short poppet travel, for quick closing, minimal backflow and gentle seating action
- Annular flow, for minimum pressure drop
- Union end allows efficient use of space

### Exceptional Versatility

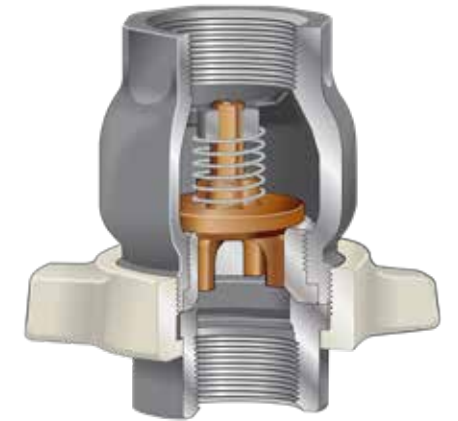
- Available with bronze or 316 stainless steel trim to suit your application
- Sturdy, thick poppet to support full line pressure, even with the nut removed
- Available in 2" and 3" sizes, with octagonal or Lug nut unions, for a variety of applications
- Socket-weld union end available

### Exceptional Value

- Union end reduces fitting and labor costs, both in installation and maintenance
- Carbon steel body casting for durability (WCC)
- Zinc-coated carbon steel A105 union end and nut
- Seats can be re-lapped in the field, to minimize downtime



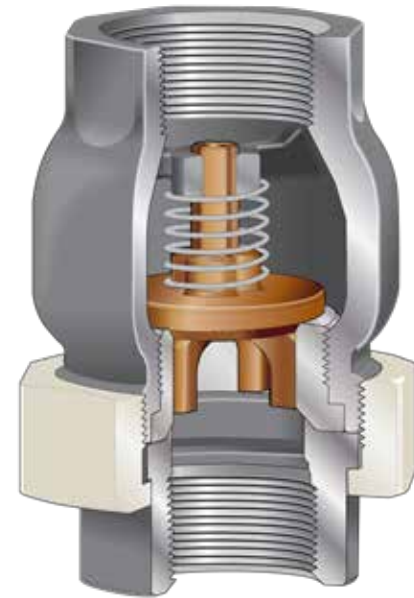
Vogt PETRO®



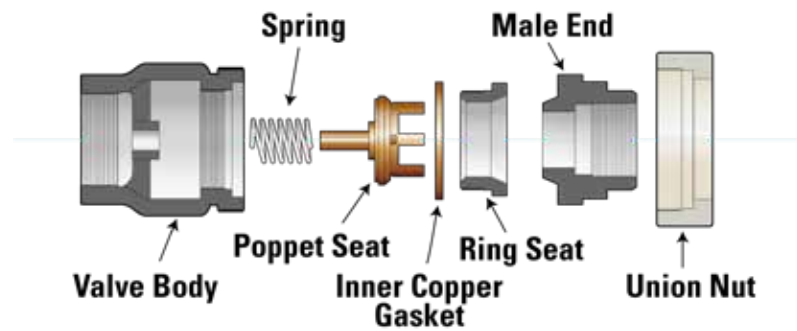
Vogt HB-LUG®

2000 PSI		
2"	730P-09	730H-09
3"	730P-10	730H-10

**Union End Check**  
Construction and Materials



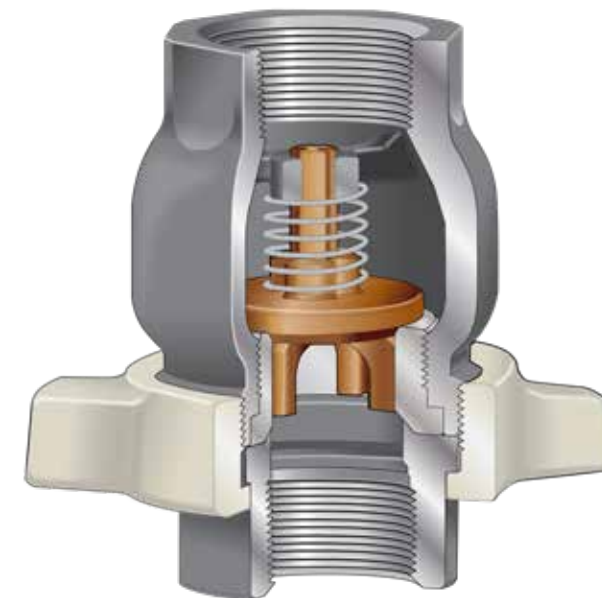
**Vogt PETRO®**  
Union End Check Valve  
Serie 730P  
2000 psi NSCWP  
Octagonal Nut



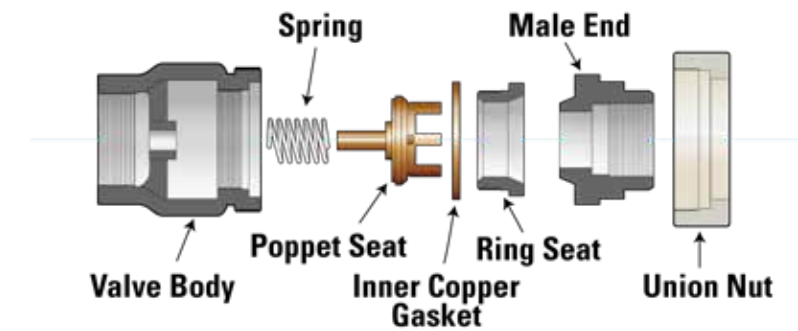
SERIES	SIZE	A	B	C	D	E	PETRO Wt. lbs. @	HB-LUG Wt. lbs. @
730 J	2	6	3 3/4	3	4 3/32	6 1/4	10.7 (730 JxP)	12.1 (730 JxH)
730 L	3	7 1/4	5 3/16	4 3/16	5 3/4	8 1/4	22.9 (730 LxP)	25.1 (730 LxH)

TEMPERATURE	BRONZE TRIM	STAINLESS TRIM
100°F	2000 PSI	2000 PSI
200°F	2000 PSI	1817 PSI
300°F	2000 PSI	1623 PSI
400°F	1929 PSI	1543 PSI
500°F	1671 PSI	1509 PSI

**Union End Check**  
Construction and Materials



**Vogt PETRO®**  
Union End Check Valve  
Serie 730H  
2000 psi NSCWP  
Lug Nut



SERIES	SIZE	A	B	C	D	E	PETRO Wt. lbs. @	HB-LUG Wt. lbs. @
730 J	2	6	3 3/4	3	4 3/32	6 1/4	10.7 (730 JxP)	12.1 (730 JxH)
730 L	3	7 1/4	5 3/16	4 3/16	5 3/4	8 1/4	22.9 (730 LxP)	25.1 (730 LxH)

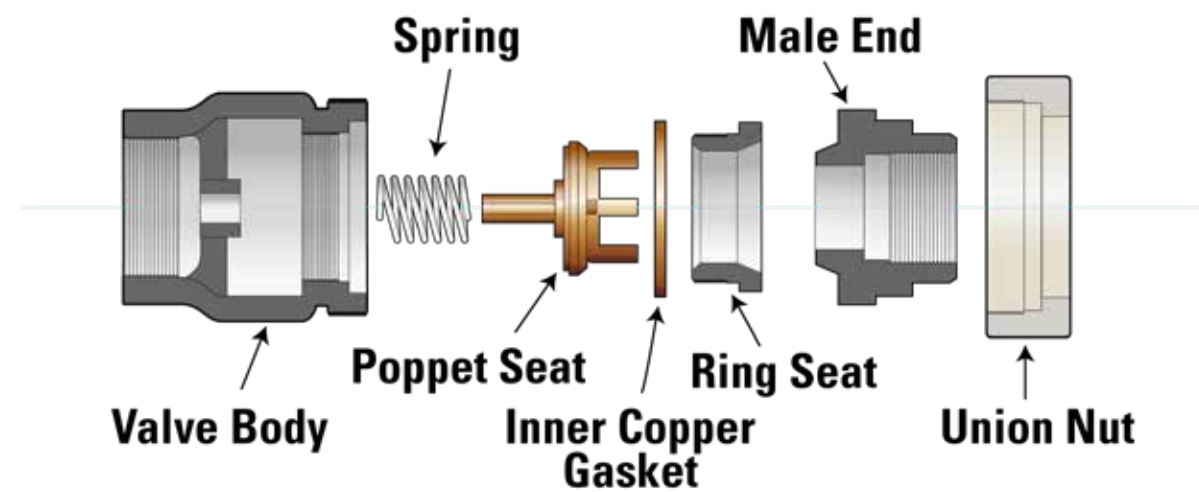
TEMPERATURE	BRONZE TRIM	STAINLESS TRIM
100°F	2000 PSI	2000 PSI
200°F	2000 PSI	1817 PSI
300°F	2000 PSI	1623 PSI
400°F	1929 PSI	1543 PSI
500°F	1671 PSI	1509 PSI

**FPO**

# Strainer

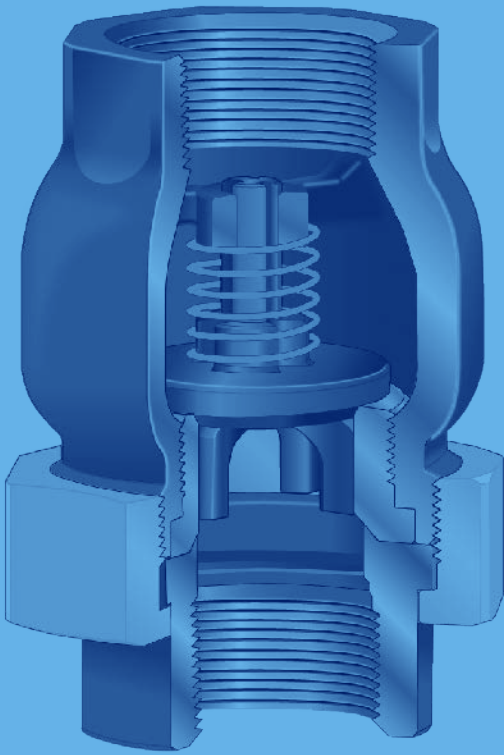
ANSI Class 2500 "Y" Type for Air, Water & Oil Service

Horizontal or Vertical  
Screw Bonnet  
Replaceable Screen



Part	Construction	Materials
Body	Cast	Carbon Steel (Phosphate Coated)
Spring		BOB TO ADVISE
Poppet Seat	Cast	Bronze (730 xBx) 316SS (730 xSx)
Inner Gasket		BOB TO ADVISE
Ring Seat	BOB TO ADVISE	Bronze (730 xBx) 316SS (730 xSx)
Male End	BOB TO ADVISE	Carbon Steel (Zinc)
Union Nut	BOB TO ADVISE	Carbon Steel (Zinc)

*Need Copy  
Must have a multiple  
of 4 pages for a saddle  
stitched brochure  
This Catalog needs  
to be 8 Pages*



Vogt Valves has established industry leadership in the design and manufacture of its products. When properly selected, this Vogt Valves product is designed to perform its intended function safely during its useful life. However, the purchaser or user of Vogt Valves products should be aware that Vogt Valves products might be used in numerous applications under a wide variety of industrial service conditions. Although Vogt Valves can (and often does) provide general guidelines, it cannot provide specific data and warnings for all possible applications. The purchaser/user must therefore assume the ultimate responsibility for the proper sizing and selection, installation, operation and maintenance of Vogt Valves products. The purchaser/user should read and understand the Installation Operation Maintenance (IOM) instructions included with the product, and train its employees and contractors in the safe use of Vogt Valves products in connection with the specific application.

While the information and specifications contained in this literature are believed to be accurate, they are supplied for informative purposes only and should not be considered certified or as a guarantee of satisfactory results by reliance thereon. Nothing contained herein is to be construed as a warranty or guarantee, express or implied, regarding any matter with respect to this product. Because Vogt Valves is continually improving and upgrading its product design, the specifications, dimensions and information contained herein are subject to change without notice. Should any question arise concerning these provisions, the purchaser/user should contact Vogt Valves at any one of its worldwide operations or offices.

©2017 OMB Valves SpA, Stafford, Texas, USA. Vogt Valve are registered trademarks of OMB Valves SpA, VOGTUNIONCHECK 11/17